

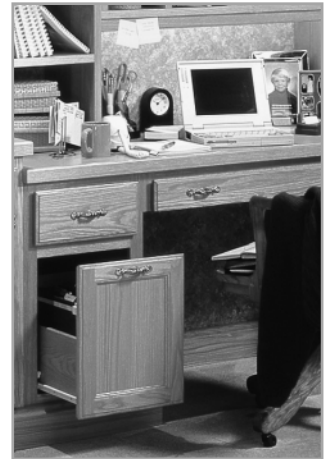
140 Business Park Drive
Winston-Salem, NC 27107
1-800-LIBERTY (542-3789) toll free
1-336-769-7306 fax



Ball-Bearing Drawer Slides

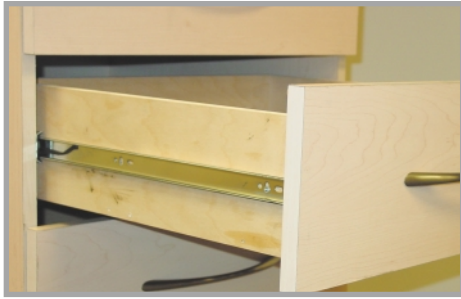
Product Catalog

Distributed by:
B & B International, Inc.
1-800-508-1498
1-210-599-7723 - Fax
sales@bandbhardware.com



A Masco Company

Overview



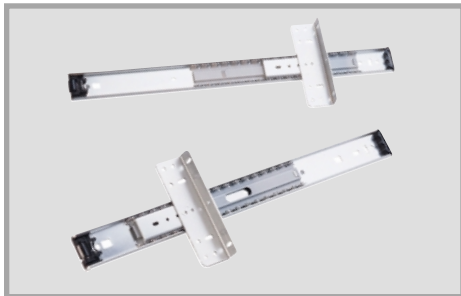
**75lb
Single Extension**



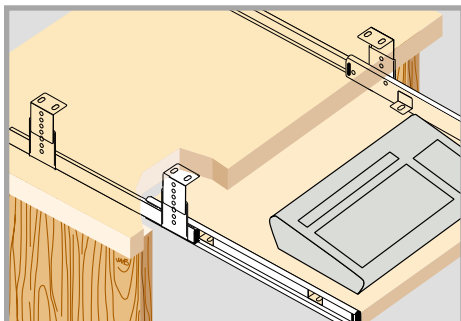
**100lb
Full Extension**



**150lb
Heavy Duty
Full Extension**



**Pocket
Door Slide**



**Keyboard
Slide**

Certifications

75lb Single Extension



MEI-CHARLTON, INC.

USA

Certification# 650327B

Cycle Test 50,000 cycles

100lb Full Extension



USA

Certification# 96-0506-1902C

Cycle Test 50,000 cycles



UK

Certification# P837T/93/DDS/JDM

BS5459: Part 7 to test level H

BS4875: Part 3 to test level 4



Landesgewerbeanstalt Bayern

Germany

Certification# IWQ3361371

Cycle Test 50,000 cycles

150lb Full Extension



Taiwan

Certification# CH-01799

Cycle Test 50,000 cycles

Certification# CH-01798

Rebound Test

Pocket Door Slide



USA

Certification# 96-0506-1902D

Cycle Test 20,000 cycles

75lb Single Extension



Technical Specifications

Mounting: Side

Features: Quick lever disconnect for easy removal, hold-in feature to prevent bounce back. Cabinet member breather tabs self adjust to side clearance.

Height: 1-15/32" (37.5mm)

Clearance: 1/2" plus 1/32" minus 0" each side

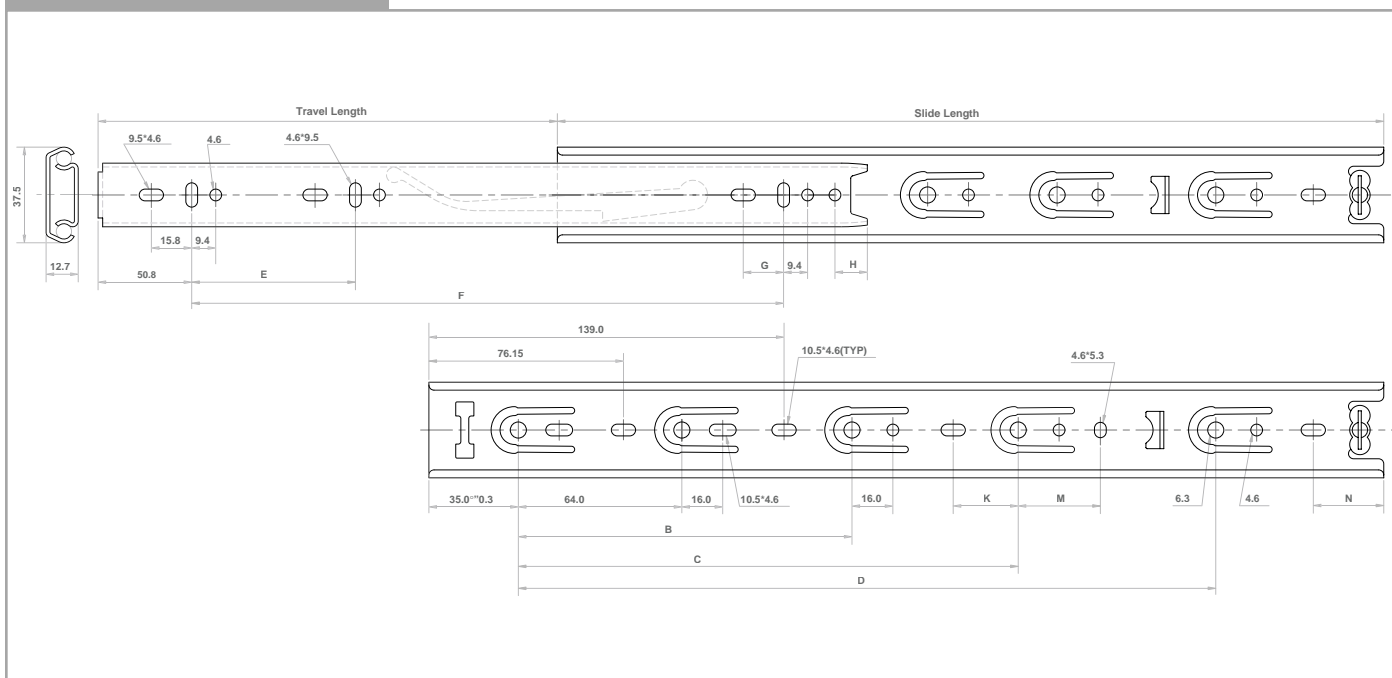
Loading Rate: 75 pound class

Finish: Zinc plated (ZP) / Black zinc (BL)

Sizes: 12", 14", 16", 18", 20", 22", 24", 26"

Packing: 12"-22" slides 20 pair • 24"-26" slides 10 pair

Dimensions



Size in/mm	Part#	Slide mm	Travel mm	B mm	C mm	D mm	E mm	F mm	G mm	H mm	K mm	M mm	N mm
26/650	D75126	660.4	495.0	224.0	352.0	544.0	256.0	576.0	15.8	•	25.45	32.15	31.8
24/600	D75124	609.6	455.0	224.0	352.0	480.0	256.0	512.0	15.8	•	25.45	•	44.8
22/550	D75122	558.8	420.0	224.0	352.0	416.0	224.0	480.0	15.8	•	•	32.15	57.8
20/500	D75120	508.0	375.0	224.0	352.0	416.0	192.0	416.0	15.8	•	25.45	32.15	•
18/450	D75118	457.2	335.0	224.0	352.0	•	160.0	352.0	•	•	25.45	32.15	•
16/400	D75116	406.4	295.0	224.0	288.0	•	160.0	320.0	•	•	•	•	33.4
14/350	D75114	355.6	250.0	256.0	•	•	96.0	256.0	•	•	•	•	•
12/300	D75112	304.8	225.0	224.0	•	•	96.0	•	•	17.0	•	•	•

All dimensions in millimeters

Pack Code: **A** - packed without screws



100lb Full Extension



Technical Specifications

Mounting: Side

Features: 32mm hole pattern, simple access mounting on drawer or cabinet members. Hold/close function, for face frame and frameless mounting, 1" over travel

Height: 1-13/16" (45.7mm)

Clearance: 1/2" plus 1/32" minus 0" each side

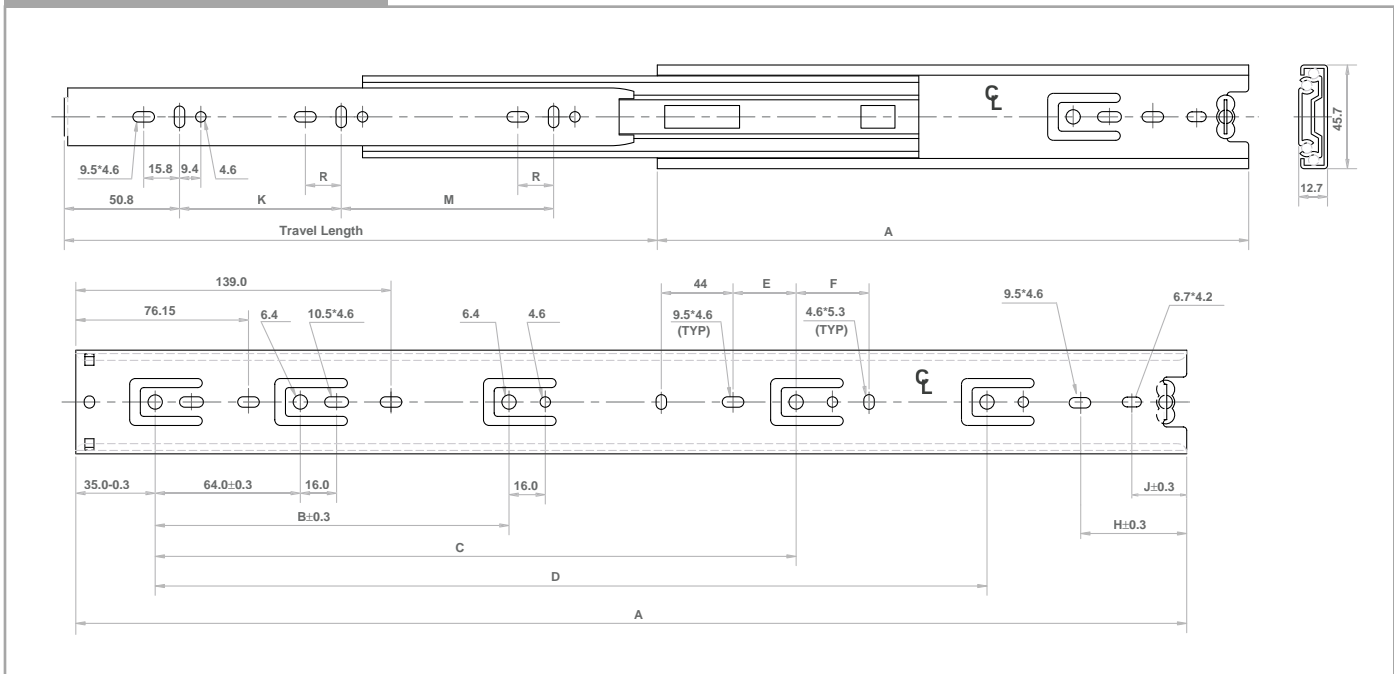
Loading Rate: 100 pound class

Finish: Zinc plated (ZP) / Black zinc (BL)

Sizes: 12", 14", 16", 18", 20", 22", 24", 26"

Packing: 12"-22" slides 15 pair • 24"-26" slides 10 pair

Dimensions



Size in/mm	Part#	Travel mm	Over mm	A mm	B mm	C mm	D mm	E mm	F mm	H mm	J mm	K mm	M mm	R mm
26/650	D75026	660.4	685.8	660.4	224.0	352.0	544.0	25.45	32.15	•	18.0	256.0	320.0	15.8
24/600	D75024	609.6	635.0	609.6	224.0	352.0	480.0	25.45	32.15	44.8	18.0	256.0	256.0	15.8
22/550	D75022	558.8	584.2	558.8	224.0	352.0	416.0	25.45	32.15	57.8	18.0	224.0	256.0	15.8
20/500	D75020	508.0	532.4	508.0	224.0	352.0	416.0	25.45	32.15	•	18.0	192.0	224.0	15.8
18/450	D75018	457.2	482.6	457.2	224.0	352.0	•	25.45	32.15	•	18.0	160.0	192.0	15.8
16/400	D75016	406.4	431.8	406.4	224.0	288.0	•	25.45	•	33.4	18.0	160.0	160.0	15.8
14/350	D75014	355.6	381.0	355.6	224.0	•	•	•	•	46.6	18.0	128.0	128.0	15.8
12/300	D75012	304.8	330.2	304.8	224.0	•	•	•	•	•	•	96.0	128.0	15.8

All dimensions in millimeters

Pack Code: **A** - packed without screws



150lb Heavy Duty Full Extension



Technical Specifications

Mounting: Side

Features: 32mm hole pattern, simple access mounting on drawer or cabinet members. Hold/close function, for face frame and frameless mounting, 1" over travel

Height: 4" (101mm)

Clearance: 12.7mm plus 0.8mm, minus 0 each side

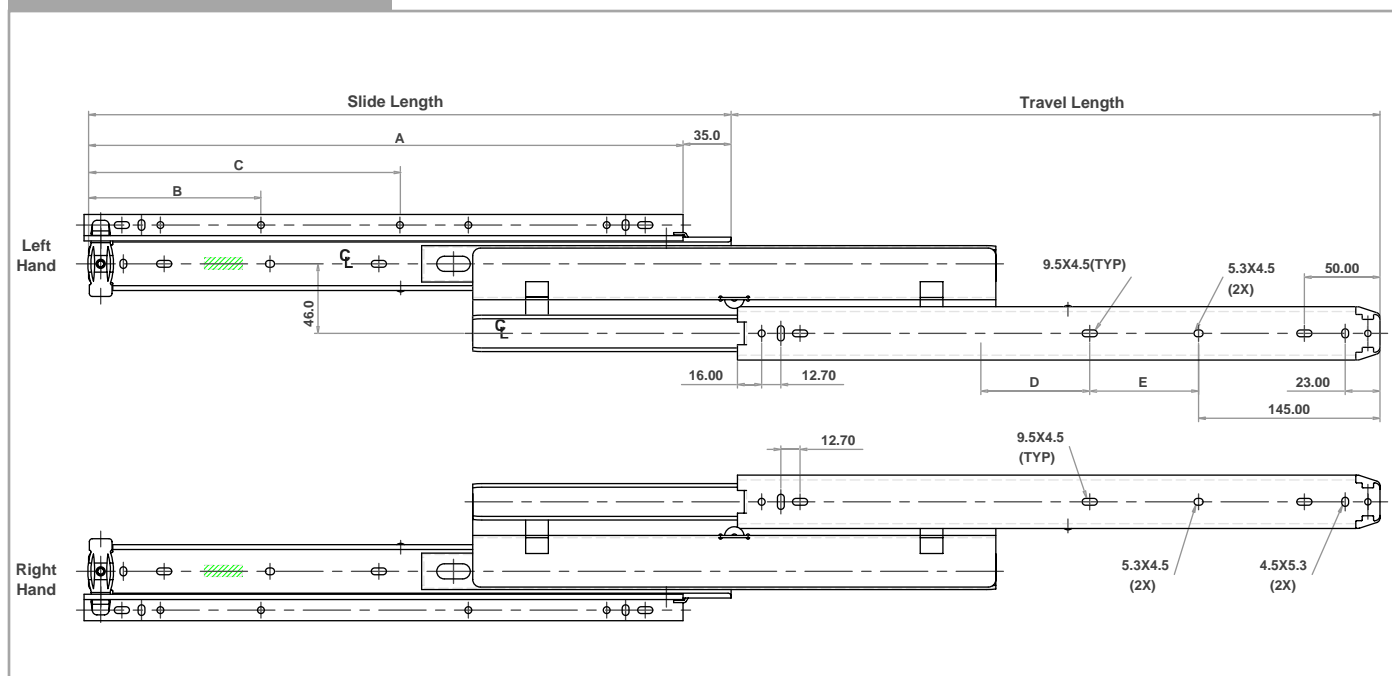
Loading Rate: 150 pound class

Finish: Zinc plated (ZP) / Black zinc (BL)

Sizes: 12", 14", 16", 18", 20", 22", 24", 26"

Packing: 5 pair

Dimensions



Size in/mm	Part#	Slide mm	Travel mm	Over mm	A mm	B mm	C mm	D mm	E mm
26/650	D76026	657.4	644.7	670.1	624.4	117.0	312.2	50.0	72.0
24/600	D76024	606.6	593.9	619.3	573.6	117.0	286.8	50.0	72.0
22/550	D76022	555.8	543.1	568.5	522.8	117.0	261.4	50.0	72.0
20/500	D76020	505.0	492.3	517.7	472.0	117.0	236.0	•	72.0
18/450	D76018	454.2	441.5	466.9	421.2	117.0	•	•	72.0
16/400	D76016	403.4	390.7	417.3	370.4	117.0	•	•	•
14/350	D76014	352.6	339.9	365.3	319.2	117.0	•	•	•
12/300	D76012	301.8	289.1	314.5	268.8	•	•	•	•

All dimensions in millimeters

Pack Code: **A** - packed without screws



Pocket Door Slide



Technical Specifications

Mounting: Side mounted to the cabinet side panel. Hinge is mounted in wooden follower strip.

Features: Designed to use wooden follower strip, 3rd slide is mountable to the cabinet for heavier door support.

Height: Minimum 1/16" between door and cabinet

Clearance: 1/2" plus 1/32" minus 0" each side

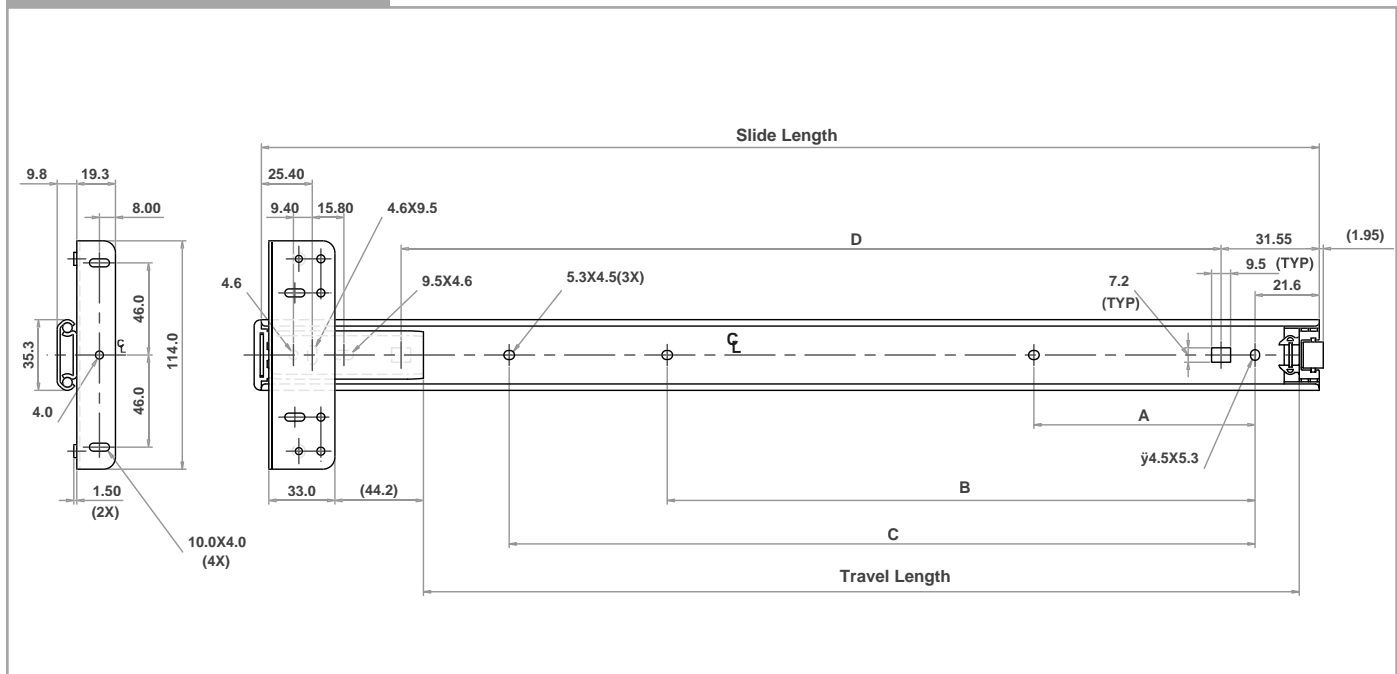
Loading Rate: 20 pound class

Finish: Zinc plated (ZP)

Sizes: 14", 18", 16", 20"

Packing: 20 pair

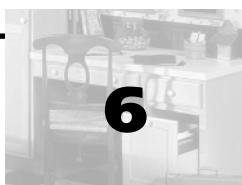
Dimensions



Size in/mm	Part #	Slide mm	Travel mm	A mm	B mm	C mm	D mm
20/500	D77020	505.0	417.4	103.4	280.8	359.6	403.7
18/450	D77018	454.2	366.6	103.4	230.0	308.9	352.9
16/400	D77016	403.4	312.5	103.4	179.2	258.1	302.1
14/350	D77014	352.6	265.0	103.4	128.4	207.3	251.3

All dimensions in millimeters

Pack Code: **A** - packed without screws



Keyboard Slide



Technical Specifications

Mounting: Bottom mount on shelf tabs of outer members, inner members mount to the underside of desk or table by mounting brackets.

Features: Hold-out design holds keyboard in open position, prevents bounce back, shelf tabs design for easy drop-mounting. 4-different adjustable heights

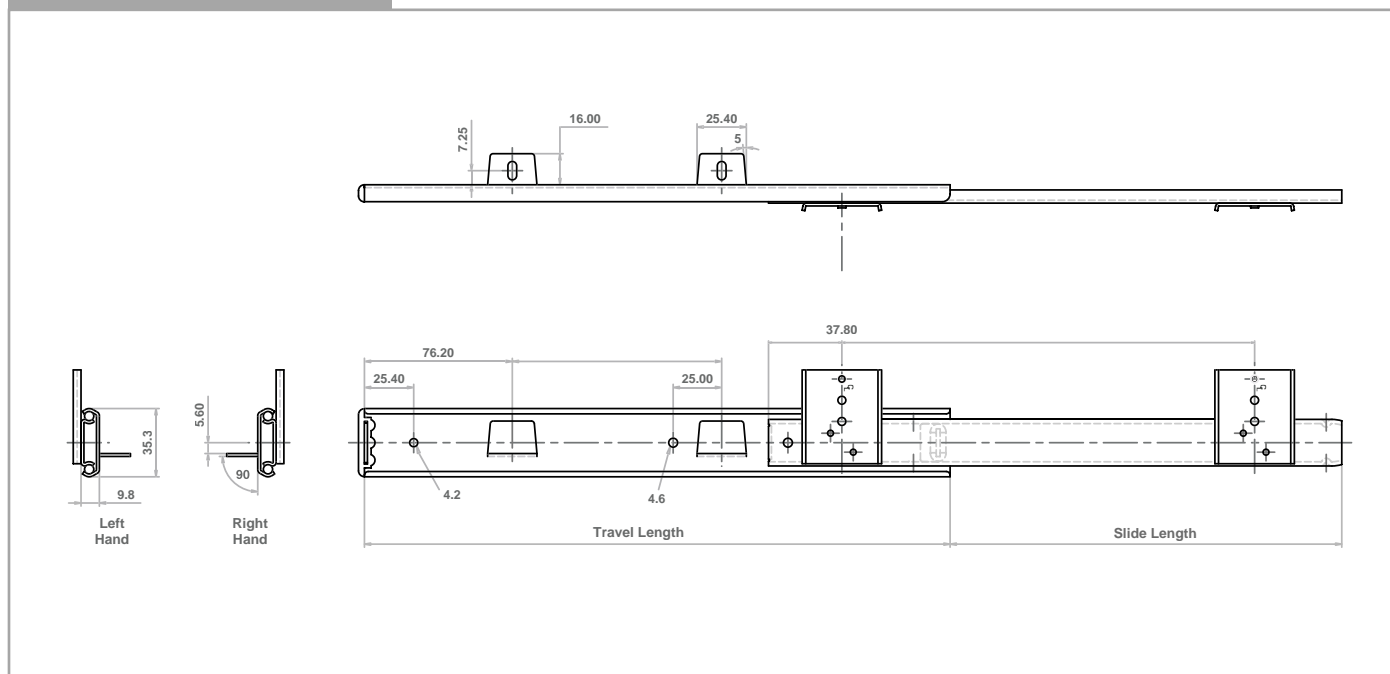
Loading Rate: 20 pound class

Finish: Black zinc (BL)

Sizes: 14", 16", 18"

Packing: 20 pair

Dimensions



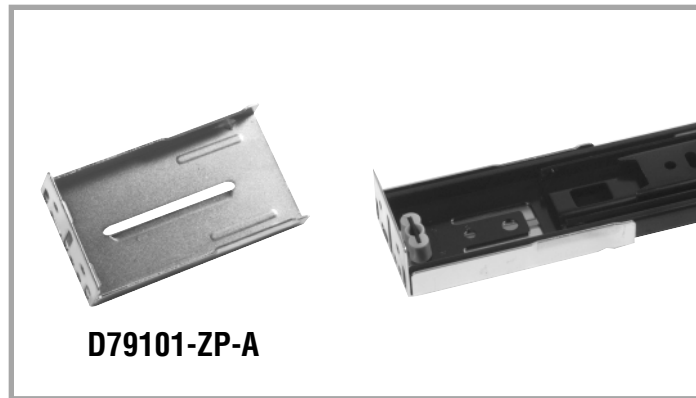
Size in/mm	Part #	Slide mm	Travel mm	A mm	B mm
18/450	D78018	454.2	315.0	365.1	209.5
16/400	D78016	403.4	277.0	314.3	184.1
14/350	D78014	352.6	239.0	263.5	158.7

All dimensions in millimeters

Pack Code: **A** - packed without screws



Socket for Face Frame Cabinets



D79101-ZP-A

Technical Specifications

Mounting: Screw-on

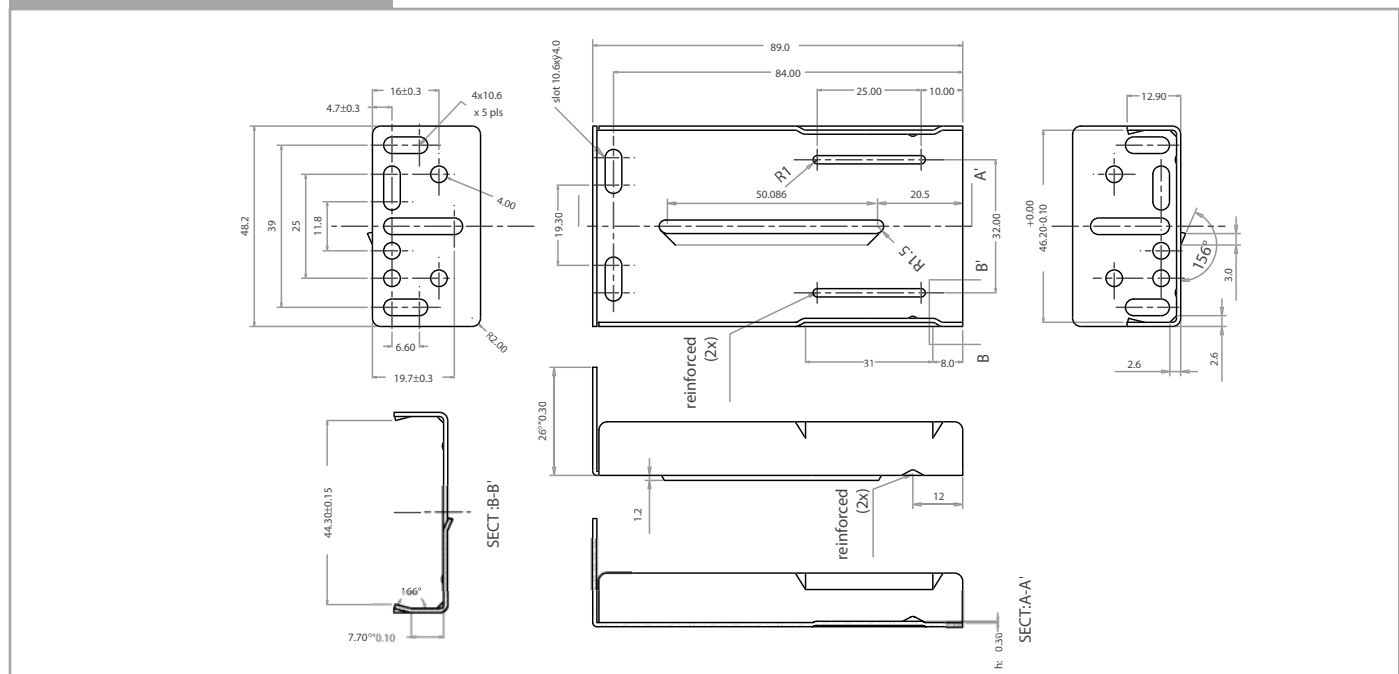
Features: Height/Side adjustment

Finish: Black zinc (BL)

Packing: 50 pieces

Can only be used with 100lb Full Extension (page 3)

Dimensions



Pack Code: **A** - packed without screws

140 Business Park Drive
 Winston-Salem, NC 27107
 1-800-LIBERTY (542-3789) toll free
 1-336-769-7306 fax

Distributed by:

Distributed by:
 B & B International, Inc.
 1-800-508-1498
 1-210-599-7723 - Fax
 sales@bandbhardware.com

